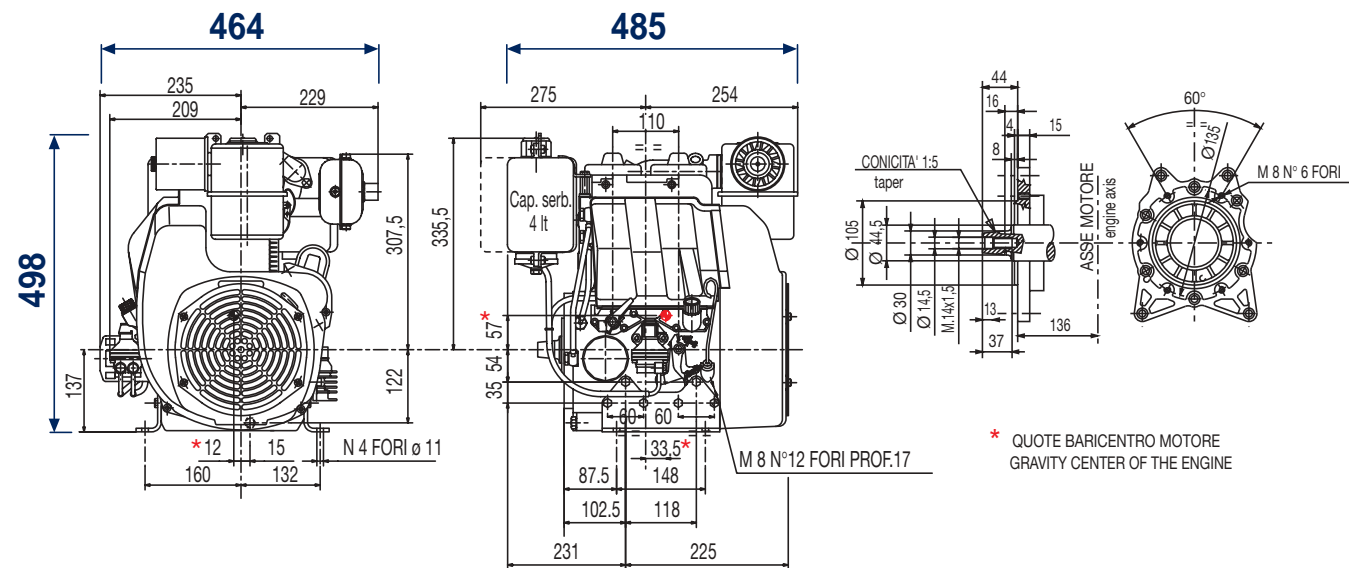


## Technical drawings \*



\* More specific dimensions are available on [www.lombardini.it](http://www.lombardini.it) (see table at the bottom of the page)

## Standard equipment

electric starter with 12V alternator  
black paint (varnish) on sheet metal parts ?  
accelerator remote control  
oil bath air filter with prefilter  
external oil filter  
oil pressure switch  
combined manifold and exhaust muffler  
engine feet  
power take-off on crankshaft  
panel board  
fuel feed pump  
counter-clockwise rotation on power take-off side  
fuel tank with filter  
automatic mechanical fuel supplement  
oil radiator  
use, maintenance and spare parts booklet

## Accessories

different guards according to use  
diverse power alternators  
compression release  
flanges  
dry air filter  
external fuel filter  
clutches  
diverse flywheels for clutches  
hydraulic pump adapters  
various capacity tanks  
mufflers and exhaust pipes  
controls  
pulleys  
varnishing (painting) ?

Files for this product available on [www.lombardini.it](http://www.lombardini.it)

Data sheet	25LD425DS.PDF
Owner manual	25LD425OM.PDF
Service manual	25LD425SM.PDF
Technical drawing	25LD425TD.DWG
Power curve	25LD425PC.PDF

LOMBARDINI RESERVES THE RIGHT TO MAKE MODIFICATIONS WITHOUT PRIOR NOTICE

mod. 51036/1

- 2 cylinders
- 851 cm<sup>3</sup>
- 14 kW/19 HP
- 3600 r.p.m.
- Nm. 41@2400

## Homologation

- EPA TIER 1
- ECE R 24-03

## Construction

- 4-stroke air cooled diesel engine
- direct injection
- flywheel fan air cooling
- mechanical fuel feeding supplement
- forced lubrication with oil pump
- full flow oil filter with external cartridge
- automatic mechanical fuel supplement
- torque regulator
- centrifugal speed governor
- crankcase in die-cast aluminium
- electric starting
- counter-clockwise rotation (viewed from power take-off side)
- aluminium alloy independent heads
- re-forable independent cast-iron cylinders

## Applications

- Dumper
- Vibrating Roller
- Generating Set
- Welding Set
- High pressure cleaner
- Hydraulic power pack
- Agricultural pump
- Two-wheel tractor

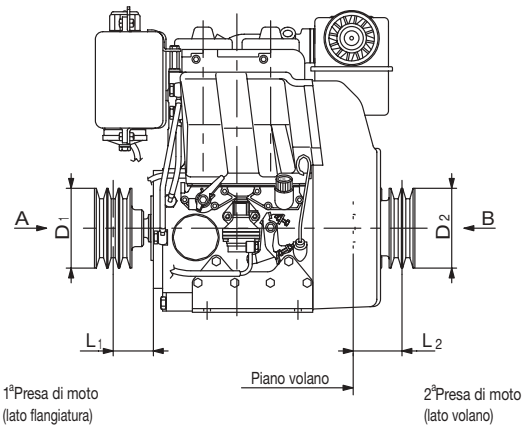


Via Cav. del Lavoro Adelmo Lombardini, 2  
42100 Reggio Emilia - Italia  
Tel. ++39 0522.3891 - Fax ++39 0522.389503  
[www.lombardini.it](http://www.lombardini.it)

## Specifications

Cylinders	N.	2
Displacement	cm <sup>3</sup>	851
Bore	mm	85
Stroke	mm	75
Compression ratio		19:1
Rating kW/HP	N (80/1269/CEE) ISO 1585	14/19
	NB ISO 3046 IFN	13/17.7
	NA ISO 3046 ICXN	12/16.3
Max. torque	Nm.	41@2400
Max. torque 3 P.T.O.	Nm.	18.0
Counterclockwise rotation		
Engine speed - 3 P.T.O. ratio		1:0.87
Minimum idling speed r.p.m.		1000
Fuel tank capacity	l	4
Oil consumption	kg/h.	0.0085
Oil sump capacity	l	1,8
Min. allowable oil pressure	bar	0.8
Max. allowable tilt for short time operation (peak values)		25° (35°)
Combustion air required at 3600/3000 r.p.m.	l/min.	1330/1110
Cooling air required at 3600/3000 r.p.m.	l/min.	14200/11835
Dry weight	kg	63
Recommended battery	V/Ah	12/55
Axial load (continuous)	kg	100
Axial load (intermittent)	kg	300

Minimum pulley diameters for belt drive



$$D_1 \text{ (mm)} \geq 700 [45+L_1 \text{ (mm)}] \quad \frac{N \text{ (kW)}}{n \text{ (RPM)}}$$

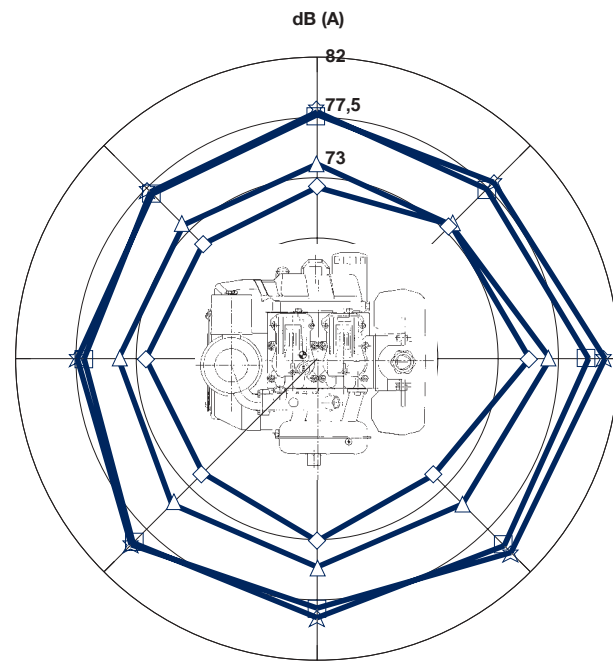
$$D_2 \text{ (mm)} \geq 1540 [17+L_2 \text{ (mm)}] \quad \frac{N \text{ (kW)}}{n \text{ (RPM)}}$$

Max. allowable axial load in both direction A-B = 350 kg



### Sound pressure level dB (A)

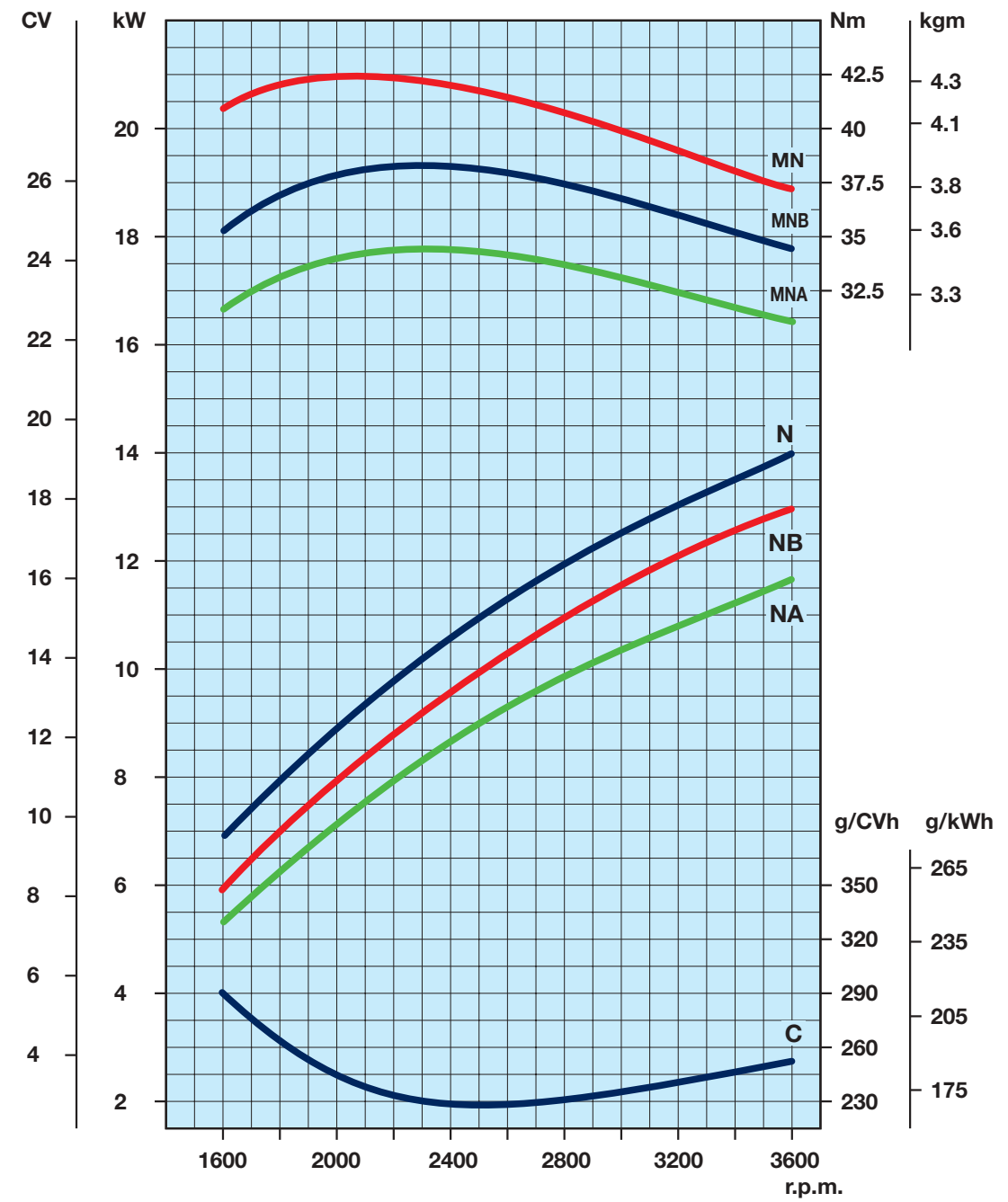
Sound level polar diagram open field - 7 meters microphone - no load running engine.



1500 RPM    2000 RPM    2500 RPM    3000 RPM

## Curves

25LD 425/2 @ 3600 r.p.m. ■



N	Power curve - 80/1269/CEE - ISO 1585 -
NB	Power curve - ISO 3046/1 - IFN -
NA	Power curve - ISO 3046/1 - ICXN -
MN	Torque curve - (N curve)
MB	(B curve - MA (A curve))
C	Specific fuel consumption - (NB curve)

### Power for gen set or stationary running

#### Engine power kW

r.p.m.	Intermittent (NB)	Continuous (NA)
3600	13.0	12.0
3000	11.5	10.5